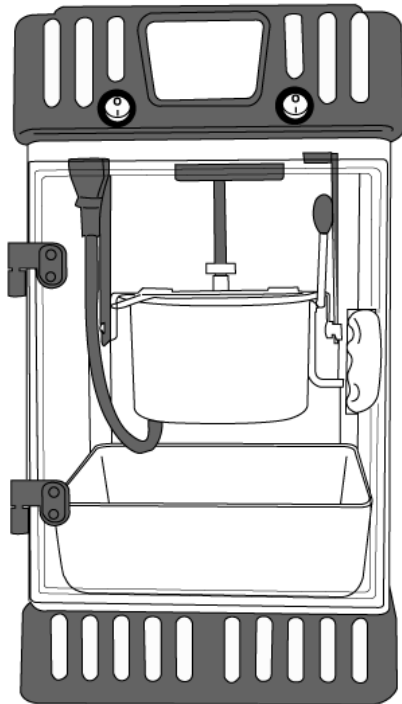


trent&steele

CLASSIC POPCORN MAKER

Model no. POP077



INSTRUCTION MANUAL

IMPORTANT SAFEGUARDS

When using any electrical appliance, basic safety precautions should always be followed, including the following:

1. **READ ALL INSTRUCTIONS BEFORE USING YOUR POPCORN MACHINE.**
2. Do not touch hot surfaces. Always use handles or knobs to operate.
3. To avoid any risk of electrical shock, do not immerse cord or plug into water or other liquid.
4. This appliance should not be used by or near children, or individuals with certain disabilities.
5. **UNPLUG MAIN POWER CORD FROM OUTLET WHILE NOT IN USE AND BEFORE CLEANING.**
6. Allow **HOT** parts to cool down before maneuvering and clean.
7. Do not operate the appliance with damaged cord or plug, or after the appliance malfunctions or has been damaged in any matter. Send the unit to the nearest authorized service center for examination, repair or adjustment. (ONLY technicians should open up the unit.)
8. The use of any accessories or attachments not recommended by the manufacturer may cause injury.
9. Do not pop the kernels with a dry kettle (without oil).
10. Do not immerse popping kettle into water.
11. Kettle surface is **HOT** and should **NOT** be touched during popping or just after use.
12. Unplug, allow to cool, clean and cover the unit and store in a dry and safe place if not being used for a long time.
13. Do not let power cord hang over edge of table or counter or touch any hot surfaces.
14. Do not place the unit on or near a hot gas or electric burner or in a heated oven.
15. Extreme caution must be paid when moving the appliance containing hot oil or other hot liquids.
16. Turn **ALL** switches to **OFF** position before disconnecting power plug from the wall supply outlet.

17. Not recommended for outdoor use.
18. Do not use appliance for other than intended use.
19. This popper will not shut off automatically. To avoid overheating, always add oil and than kernels before operating.
20. Extreme caution must be used when unloading popcorn. Always place the unit over a countertop so that residual hot oil or water running out will not cause burns.

-1-

21. **KEEP OUT OF REACH OF CHILDREN.**
22. **Do NOT CLEAN USING ANY ABRASIVE MATERIAL.**
23. **NEVER FORCE ANY PARTS OR BRACKETS INTO POSITION.**
24. CAUTION: A burn result from misuse of this operating procedure.
25. No parts are intended for dishwasher (except removable tray & spoons).
26. A popper that is plugged into an outlet should not be left unattended.

SAVE THESE INSTRUCTIONS FOR HOUSEHOLD USE ONLY.

1. A short power-supply cord (or detachable power-supply cord) is to be provided to reduce the risk resulting from becoming entangled in or tripping over a longer cord.
2. Longer detachable power-supply cords or extension cords are available and maybe be used if care is exercised in their use.
3. If a longer detachable power-supply cord or extension cord is used,
 - a. The marked electrical rating of the cord set or extension cord should be at least as great as the electrical rating of the appliance, and
 - b. The longer cord should be arranged so that it will not drape over the countertop or tabletop where it can be pulled on by children or tipped over unintentionally.
 - c. If the appliance is the grounded type. The extension cord should be a grounding 3-wire cord.

-2-

2.5oz CLASSIC POPCORN MAKER

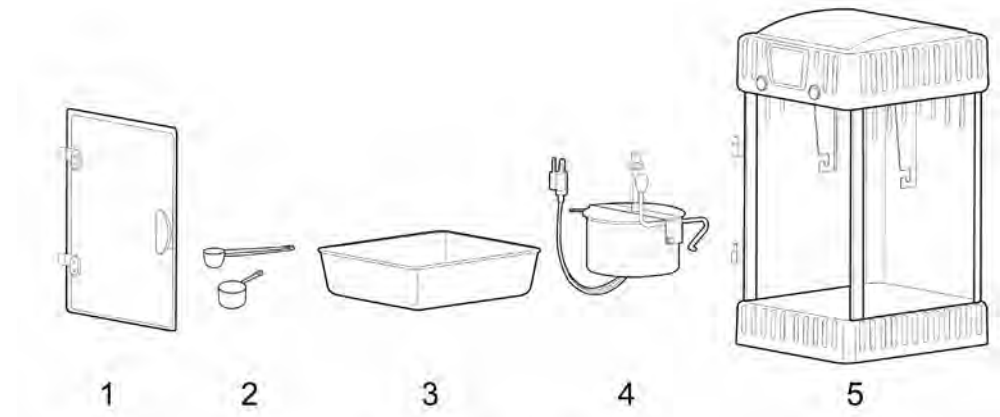
SPECIFICATION:

Model no.: POP077

Voltage: AC220-240V ~50Hz

Power: 300W

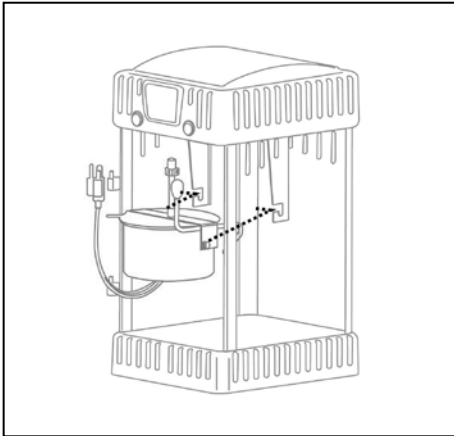
COMPONENTS



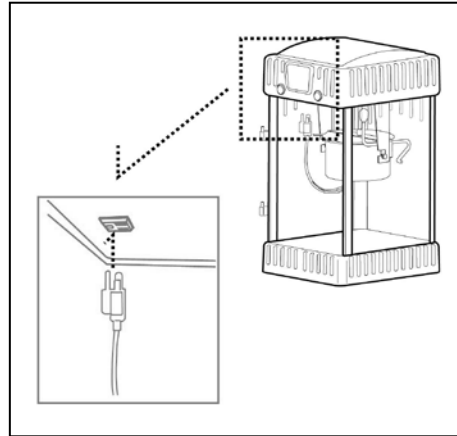
1. Door
2. Measuring Spoons
3. Removable tray

4. Kettle
5. Housing

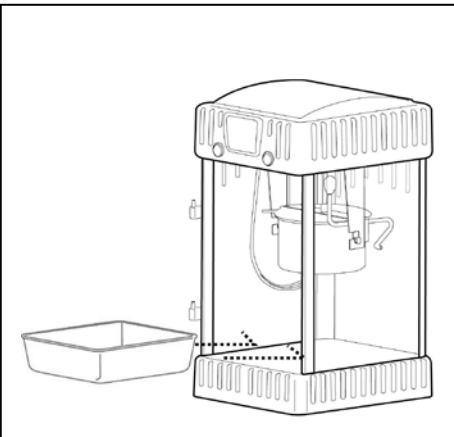
ASSEMBLING PROCEDURES



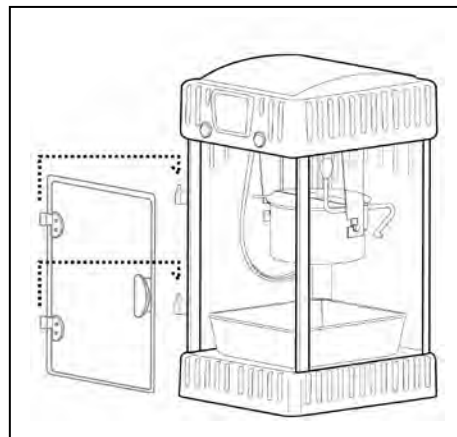
Step 1:
Hook the kettle onto the hanger of the main housing.



Step 2:
Insert the internal kettle plug into the socket on the inner top of the main housing.



Step 3:
Insert the removable tray.



Step 4:
Place the door on hinges.

POPPING INSTRUCTIONS

1. Follow assembly procedure.
2. Make sure the popcorn maker is unplugged before you do any of the following.
3. Before using the unit, please check carefully to be sure voltage (AC240V ~50Hz) is suitable to your home.
4. Clean the internal surface of the kettle with warm soapy water, rinse well and dry with clean cloth. Wipe down inner and outer housing with damp cloth.
5. Main unit has a 2-function switch as follows:



-LIGHT: to turn light on;



-POP: to turn motor & heater on.

6. Insert the internal plug into the socket.
7. Plug the power cord into an electric outlet.
8. Before pouring oil or kernels, lift lid up using the lid tab. Turn both LIGHT & POP switches to on position. The light, heater and motor will be on. Let the kettle preheat about 2 to 3 minutes. Turn the POP switch to off position and add oil (1 tablespoon of vegetable, corn, peanut, or sunflower oil). Immediately add 1/3 cup of corn kernels (Note: 1/3 measuring cup included) and close lid to the kettle. Turn POP switch on again, stirrer will begin to rotate and heater will heat up the kettle. CAUTION: Lid might be hot – it is recommended to use an oven mitt.
9. Popcorn starts popping out through the lid after about 2 minutes.
10. When unit is finished popping – you will no longer hear the corn popping – immediately turn the POP switch to the off position and pull down the handle bar of the kettle to release any remaining popcorn in the popper. This will also stop the remaining popcorn from cooking any further and avoid possible burning.
11. Keep POP switch off if the unit is not continuously in use.
12. Remove plug from power supply if the unit is not being used.
13. Repeat step 8 to 10 for continuous popping.

CLEANING AND MAINTENANCE

It is strongly recommended to clean the kettle frequently to avoid burning excess oil onto the bottom of the inner pot.

After using the popcorn machine, let it cool, and use a wet cloth to clean the main unit, main body and glass. It is strongly recommended to wash and dry the tray after each use to avoid any bacteria buildup. The light bulb is replaceable with an AC240V 10W bulb.

Any other servicing should be performed by an authorized service representative.

QUICK CLEANING PROCEDURE

Turn the POP control to off. Pour 4 to 6 ounces of water (NO detergent is necessary) into inner pot. Switch to POP to boil the water and let the stirrer turn in order to remove excess oil stuck on the surface. After cooling. Pour out the water into a deep bowl and discard after about 1 to 2 minutes of boiling.

CAUTION: THE KETTLE IS HOT.

Or remove the kettle and clean it with a Scotch-Brite scouring pad (Not included). Do not immerse kettle or electrical plug in water.