

# trent&steele

## INSTRUCTION MANUAL



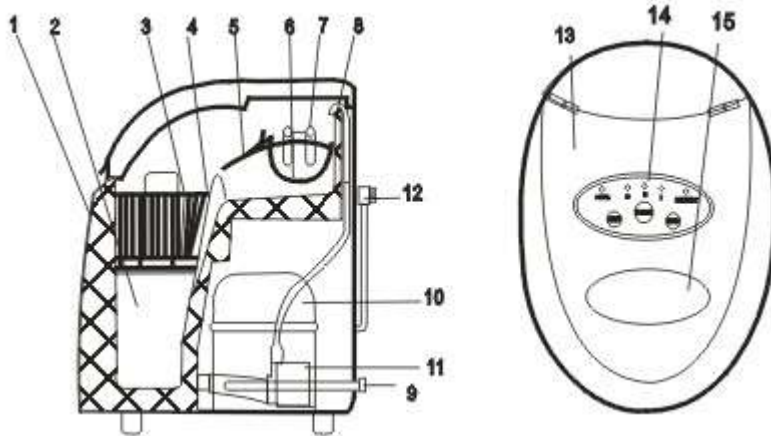
## **ICE MAKER**

**Model no TS101**

THANK YOU FOR CHOOSING OUR ICE MAKER  
PLEASE READ THE MANUAL CAREFULLY BEFORE OPERATING

---

## Description



- |                        |                     |
|------------------------|---------------------|
| 1. Inner Liner         | 9. Water Drain Plug |
| 2. Water Reservoir     | 10. Compressor      |
| 3. Ice collecting Tray | 11. Water Pump      |
| 4. Ice Bin Full Sensor | 12. Power Cord      |
| 5. Ice Shovel          | 13. Lid             |
| 6. Water Tray          | 14. Control Board   |
| 7. Evaporator          | 15. Window          |
| 8. Water Inlet Tube    |                     |

## Specifications

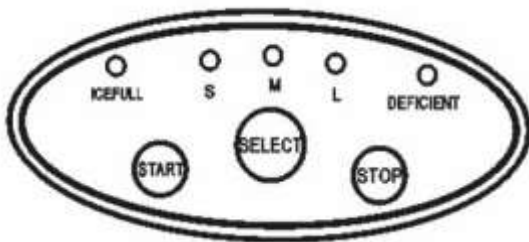
Daily Ice Output :	12-15kg / 24 hours
Ice Sizes Three (3):	small, medium, large
Ice Storage Capacity:	600 g
Compressor High efficiency CFC free	R600a
Water Reservoir Capacity:	1.8 Litres
Dimensions:	340W x 410D x 365H mm
Voltage:	AC 220-240V / 50Hz
Power cord:	3 pins earthed plug. (to reduce risk of electric shock)

**The Trent & Steele Ice Maker makes 12 pieces of ice cubes in 10 minutes in different ice sizes (small, medium, large)**

### **IMPORTANT SAFETY REMINDERS**

- Do not turn the Ice Maker upside down as this may damage the compressor and sealed system. When transporting, do not incline on over 45° angle.
- Remove all packing material and carefully check your Ice Maker to ensure it's in good condition and that there is no damage to it or the power cord and plug.
- The Ice Maker should be placed horizontally on a level surface. To ensure proper ventilation for your Ice Maker, allow 150mm of space at the top, the back and on each side. Do not install the Ice Maker near an oven, radiator, or any other heat source.
- **Before using the Ice Maker for the first time:** Wait 2 hours after you have positioned it. Have the lid open as well.
- Ensure that the voltage indicated on the Ice Maker corresponds with the voltage in your house.
- For the first three cycles, the ice may be small and irregular in size.
- If no water is pumped out to the water tray over two cycles, open the drain cap and let several drops of water drain out.

### **CONTROL PANEL OPERATION**



**START:** Press to switch unit on. This button is also used to start the ice making cycle.

**STOP:** Press to switch unit off.

**SELECT:** Ice size selection (S) small, (M) medium or (L) large. (Note: The selected mode will stay as selected unless changed or a power failure occurs. The default setting is medium).

**DEFICIENT:** This light will come on with a long beep. You will need to add water and press the 'STOP' then the 'START' button to restart the Ice Maker.

**ICEFULL:** This light will come on with a beep when the ice has reached the maximum capacity of the storage cabinet. Press 'STOP' button then press 'START' button to restart the Ice Maker after some of the ice is scooped out.

### **HOW TO USE YOUR ICE MAKER**

STEP 1. Open the lid and fill the water reservoir with water.

**Note:** Make sure the water level in the water reservoir is not over the ice collecting tray.



The sensor of temperature

STEP 2. Connect the plug to the main power switch.

STEP 3. Select desired ice cube size by pressing 'SELECT'

**Note: Select the (S) when ambient temperature is below 15°C. When the ambient temperature is higher than 30°C, large ice cube sizes are recommended.**

STEP 4. Press 'START' button to switch unit on. The ice maker begins to work.

STEP 5. If indicator 'DEFICIENT' is red accompanied with a beeping noise, take out the basket then add water as per step 1.

STEP 6. If indicator 'ICEFULL' is in red with a beeping noise, scoop out the ice.

**Note: When the ice collecting tray is full, remove the ice immediately. Do not allow the ice collecting tray to overflow.**

**You must press 'STOP' then the 'START' button to restart the Ice Maker after you add water or remove some of the ice.**

STEP 7. Press 'STOP' button to stop the machine.

STEP 8. Remove the drain plug to drain remaining water from the water reservoir. Screw the drain plug back in place after the water has been drained.

## **CARE AND MAINTENANCE**

- Clean the inner liner, ice collecting tray, water box, ice shovel and evaporator frequently. When cleaning, unplug the unit and remove the ice cubes. Use a diluted solution of water and vinegar to clean the inside and outside surface of the Ice Maker. Do not spray Ice Maker with chemicals or other diluted cleaning agents. Rinse thoroughly before starting.
- Keep ventilation openings in the appliance enclosure or in the built-in structure clear of obstruction. Do not use any mechanical device or other means to accelerate the defrosting process.
- If the Ice Maker is reused after a long time in storage, the water pump may not pump sufficient water due to an air block (the deficient water indicator switches on in this case). To correct this, press the START button again. The Ice Maker will then work normally.
- To ensure the cleanliness of the ice cubes, water in the water reservoir should be replaced every 24 hours.
- If the compressor stops for reasons such as water shortage, too much ice, the appliance switched off, etc., do not restart the system right away. Wait 3 minutes before restarting the Ice Maker.
- Always use fresh water before starting ice production either at initial installation or after a long shut-off period.

## **TROUBLESHOOTING**

1. Please note, if a power failure occurs due to disconnection of the power cord or the off power button has been pushed accidentally during an ice-making cycle, small ice chips may form and lodge in the automatic shovel causing it to jam. If this occurs, the ice chips may be removed by disconnecting the power cord and gently pushing the shovel to the rear of the cabinet and removing the ice chips then restarting the appliance.
2. Restart the ice maker by pressing Stop and then Start. If the ice shovel does not push the ice into the ice collector, check to see if the water tray is horizontal or balanced. If not then adjust by pressing the ice shovel lightly with your finger. Then restart the Ice Maker.

<b>Problem</b>	<b>Possible Cause</b>	<b>Suggested Solutions</b>
The compressor works abnormally with a buzzing noise	The voltage is lower than recommended	Stop the Ice Maker and do not restart until the voltage is normal.
Water shortage indicator light is on	There is no water	Press the Stop button, fill with water, wait 3 minutes and press the start button to restart. When the water has reached the fill line the ice maker will restart automatically.
Indicator lights on display are not on	Blown fuse/ No power	Replace fuse / Switch power on
The ice is too large and pieces are sticking together.	The water temperature in the water storage box or ambient is too low	Stop the machine and reset the ice-making cycle. Restart the machine after switching it off.
Conditions for ice-making cycle are all in order but no ice is coming out.	Refrigerant leaks / Sealed system is blocked	Call for service.
Indicator lights for "FULL" and "DEFICIENT" light up at the same time	Water tray is blocked by ice cube	Clear the ice cube under the ice shovel. Pull out the plug and insert it again then press the "START" button. Wait 2 minutes and the machine will restart automatically.

## **ADDITIONAL REMINDERS**

- If the power cord is damaged; it must be replaced by the manufacturer, its service agent or a qualified person in order to avoid a hazard.
- Fill only with potable water.
- It is normal for the compressor and condenser surface to reach temperatures between 70°C and 90°C during operation. Surrounding areas may be very hot.
- Due to fast freezing, ice cubes may appear "Cloudy". This is air trapped in the water and will not affect quality or taste of ice.
- This appliance is not intended for use by persons (including children) with reduced physical, sensory or mental capabilities or lack of experience and knowledge unless they have been given supervision or instruction concerning use of the appliance by a person responsible for their safety. Children should be supervised to ensure that they do not play with the appliance.
- Do not immerse in water