

trent&steele

INSTRUCTION MANUAL



Handstick Vacuum
Model TS816

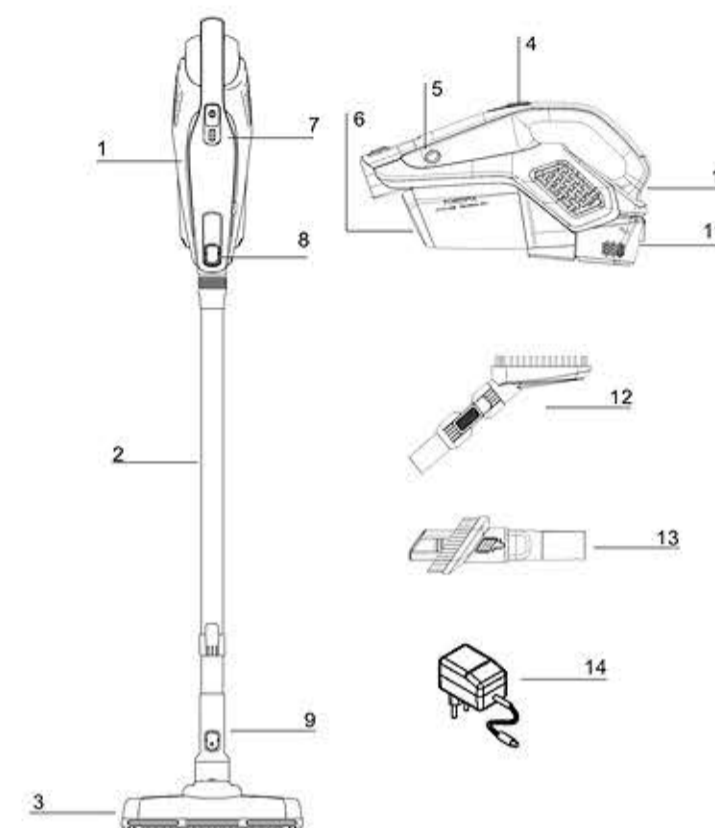
IMPORTANT SAFETY REMINDERS

- This appliance should be for domestic use only, as described in this users' guide. Please ensure that this manual is fully understood before using the appliance.
 - This appliance is not intended for use by persons (including children) with reduced physical, sensory or mental capabilities, or lack of experience and knowledge, unless they have been given supervision or instruction concerning use of the appliance by a person responsible for their safety. Children should be supervised to ensure that they do not play with the appliance.
 - To ensure the continued safe and efficient operation of this appliance, we recommend that any servicing or repairs are only carried out by an authorised service agent.
 - Ensure the unit is plugged into an electrical outlet with the correct voltage.
 - If the appliance or the supply cord is damaged, it must be replaced by the manufacturer, its service agent or similarly qualified person, in order to avoid any hazard.
 - Do not use the appliance to vacuum water or other liquids; lighted cigarette stub, hot ashes or other combustible items; sharp objects; wood pieces, cement and the like.
 - Keep the vacuum cleaner away from stoves and heat-emitting appliance. Heat can deform and discolor the plastic parts of the unit.
 - Always remove the plug from the power socket when the appliance is not charging.
 - Never use spirits or other solvents to clean the appliance.
 - Never leave the appliance unattended when switched on. Keep the appliance out of children's reach.
 - Do not switch the appliance on if it appears to be faulty in any way.
- 2 • Only the adapter provided by the manufacturer can be used.

- The battery must be removed from the appliance before it is scrapped.
- The battery is to be disposed of safely.
- The appliance must be disconnected from the supply when removing the battery.

PARTS

- | | |
|------------------------------|-----------------------------------|
| 1. Main unit | 8. Aluminum rod release knob |
| 2. Aluminum rod | 9. Floor brush release knob |
| 3. Electric floor brush | 10. Charge port |
| 4. ON / OFF button | 11. Battery pack |
| 5. Dust bin release knob | 12. Flexible brush |
| 6. Removable dust bin | 13. 2-in-1 brush and crevice tool |
| 7. Battery indicator display | 14. Adapter |



ASSEMBLY

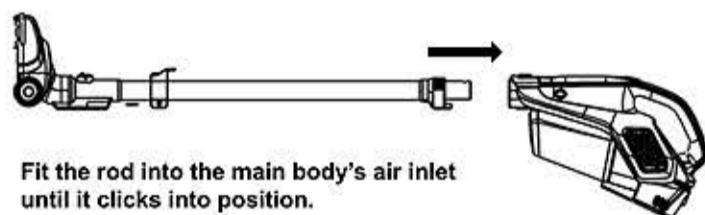
1. Assembling the battery pack



Fit the battery pack onto the main body base until it clicks into position.

To remove the battery pack, hold the main body, press the release knob and remove the battery pack.

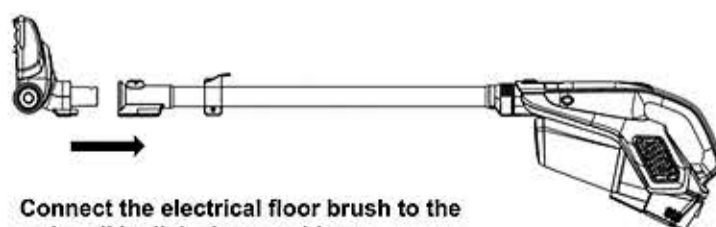
2. Assembling the aluminum rod



Fit the rod into the main body's air inlet until it clicks into position.

To remove the rod, hold the main body, press the release knob and remove the rod.

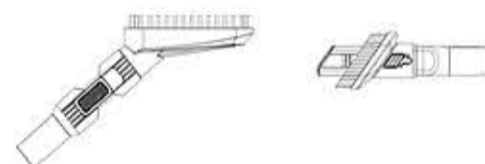
3. Assembling the electrical floor brush



Connect the electrical floor brush to the rod until it clicks into position.

To remove the electrical floor brush, hold the aluminum rod, press the floor brush release knob and remove the brush from the rod.

3. Assembling the 2-in-1 flexible brush and crevice tool



Connect the accessory to the main body's air inlet and/or on the rod until it clicks into position. The flexible brush and 2-in-1 brush and crevice tool are good for cleaning stairs, in corners and awkward crevices.

OPERATION

Before first use, ensure that the vacuum cleaner has been charged for 4 hours.

- Switch on the Handstick Vacuum by pressing the ON/OFF button.
 - > Press 1 time, it operates in **low** speed.
 - > Press 2 times, it operates in **high** speed.
 - > Press 3 times, it switches off the vacuum cleaner.

Note: Battery indicator light represents battery capacity and will illuminate during use. The indicator light will extinguish one at a time as the battery runs out.

Warning: Do not use the Handstick vacuum without the removable filter or dust bin in position.

Charging the battery



- Switch off the Handstick Vacuum.
- Connect the adapter to the charging port on the main unit.
- Plug the adapter into the main power supply.
- The battery indicator display will flash and illuminate one by one. Once the battery is fully charged, the battery indicator display will switch off.

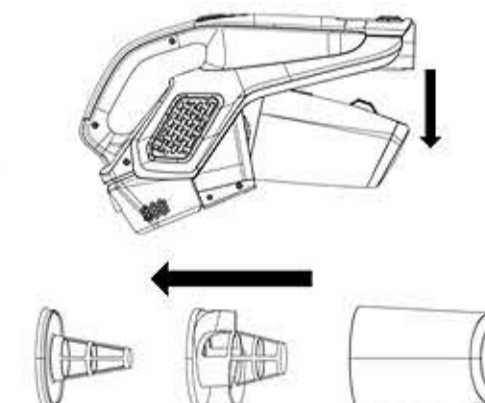
Warning: Do not use any mains power adapter other than the one supplied. Using an alternative may cause damage to main product or may cause injury.

CARE AND MAINTENANCE

Before first use, you may want to clean your Handstick Vacuum with a soft, damp cloth. Dry completely. **Note:** Never immerse the vacuum in water or any other liquid.

Filter replacement and cleaning

- Switch off the Handstick Vacuum.
- Press the dust bin release knob, remove the dust bin.
- Pull out the filter, empty out the rubbish.
- Wash the filter in water, wait for it to dry completely.
- Carefully put the filter back into the dust bin.
- Put the dust bin back into the main body.



Cleaning the rotating brush

- Turn the brush bottom screw to unlock position (pictured)
- Pull out the brush.
- Clean the brush and take out the tangles of hair, etc.
- Put the rotating brush back.
- Turn the brush bottom screw to lock position.

